



# SHELTER STRUCTURES AMERICA

## PRODUCT SPECIFICATIONS

### SHELTER M-SERIES (A FRAME)

#### TENT SPECIFICATIONS

Model	M12
Span Width	12m
Eave Height	3.40m
Ridge Height	5.27m
Bay Distance	5m
Roof Pitch	18°
Longest Component	9.64m
Maximum Length	Unlimited in 5-meter increments
Max. Windload	115mph

#### FRAMEWORK

Main Profiles	120*150*4mm (4 channel)
Material	Hard Pressed Extruded Structural Aluminum 6061/T6

#### COVER

Material	PVC Coated Polyester Fabric
Features	650 or 850 g/sqm, Premium Grade, High Gloss White or Translucent, Waterproof, UV Resistant
Flame Retardant	DIN 4102 B1, M2; USA NFPA701

#### CONNECTING COMPONENTS

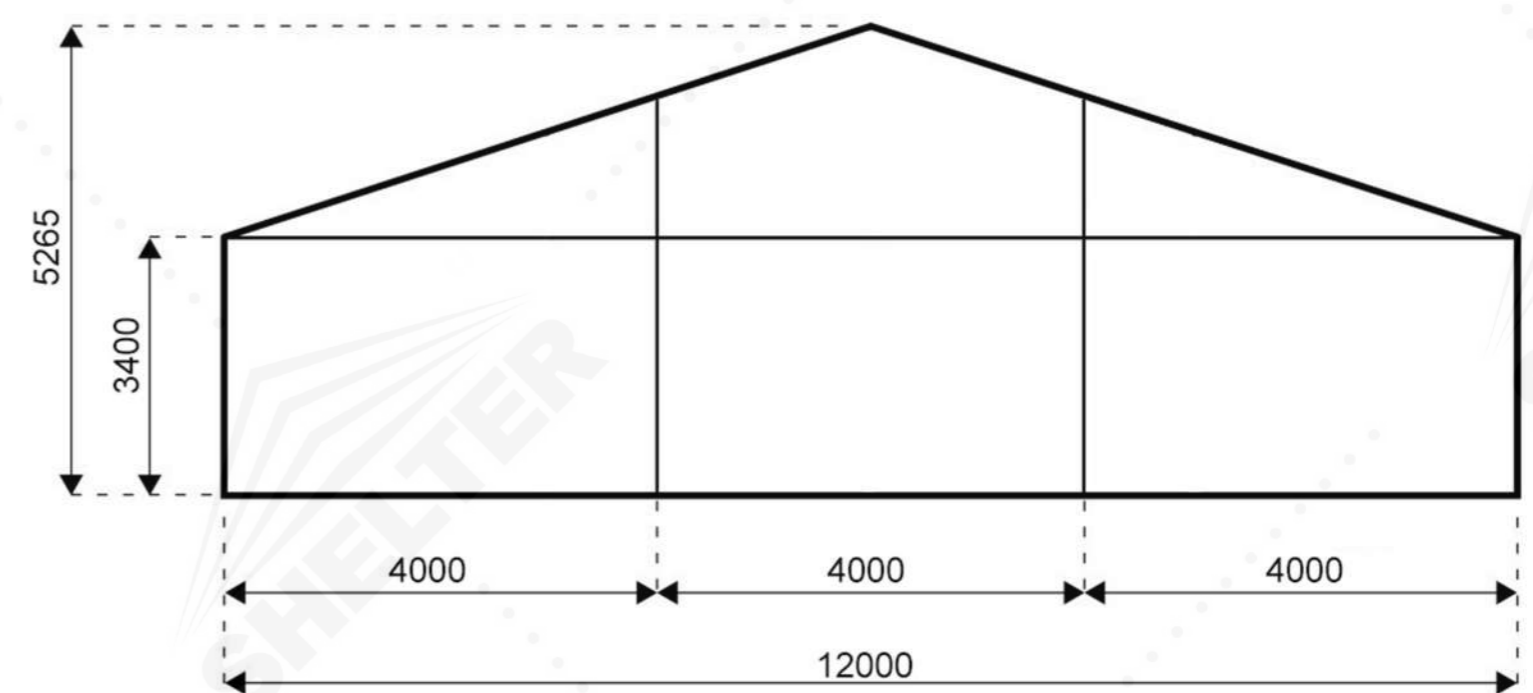
Hot Dipped, Structural Grade Corrosive Resistant Galvanized Steel

### M-SERIES DRAWING

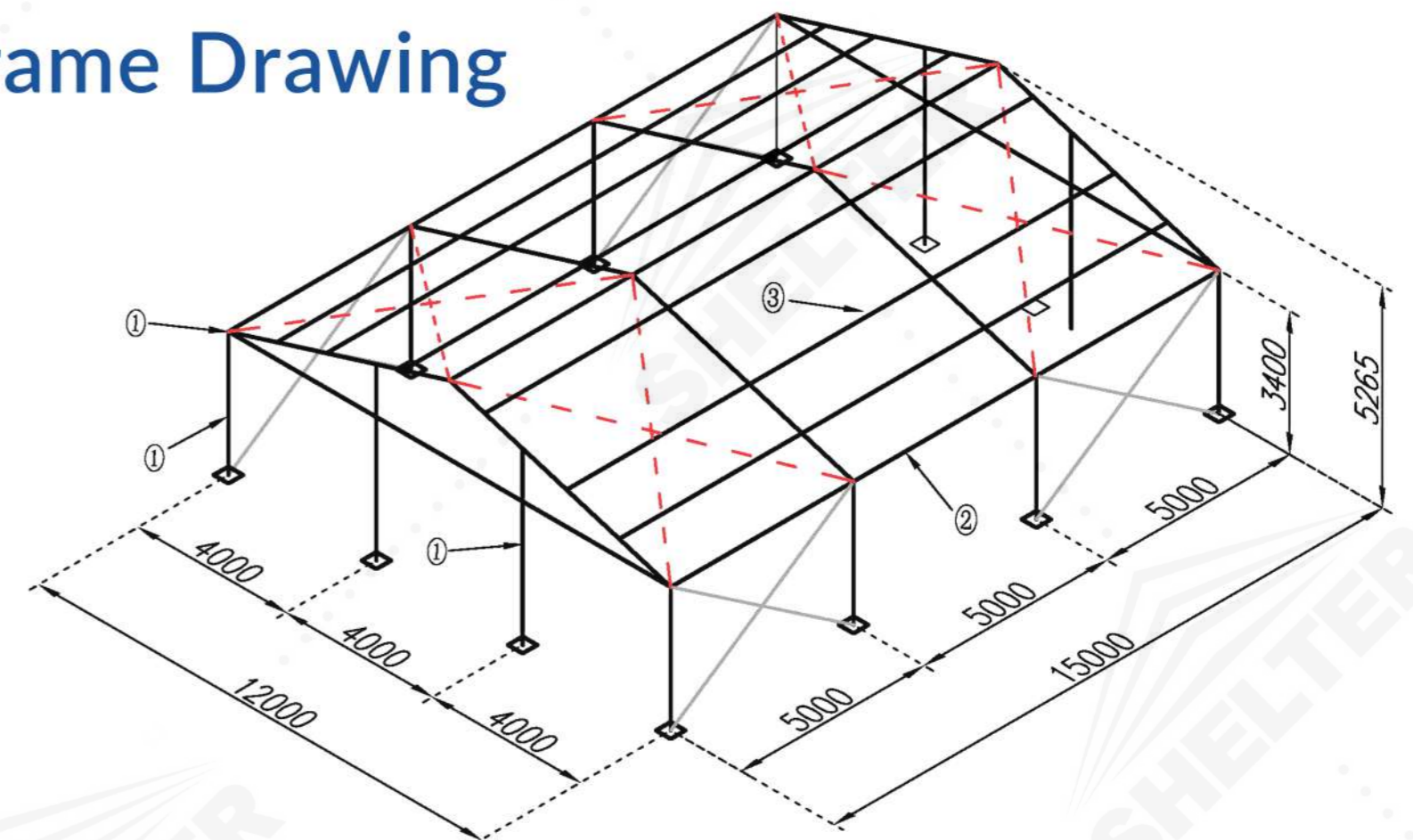
#### Rendering



#### Gable Drawing



#### Frame Drawing



#### Profile Specifications

Upright Support Roof Beam Gable Upright	Eave Purlin ②	Roof Purlin ③



**SHELTER STRUCTURES**  
**TENT MANUFACTURER**

Shelter Structures America Inc.

405 Via Chico Suite 1 Palos Verdes Estates, CA 90274

E: robert@shelterstructuresamerica.com

C: (954) 559 8759

W: www.shelterstructuresamerica.com

O: (424) 254 9172